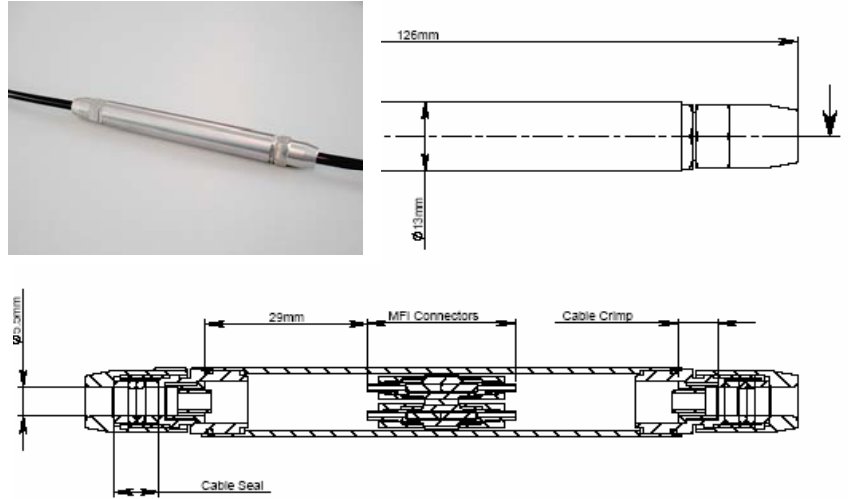


The Ridgemount RT- LRU [Line repair unit] has been developed for rapid repair of industrial and field deployable fibre optic cables.

Based on tactical repair kits used by the Military the RT- LRU is used in conjunction with the RT- MFI connector. This is a rapid termination connector that requires no power or expensive splicing equipment to deliver a high performance joint. Fibre optic cables with up to 2 fibres [250u or 900u] can be joined using the RT-LRU. A non standard 4 fibre version is available on request. Please note that the RT-MFI and RT-KIT have to be ordered separately.

The small size and weight of the LRU allows the unit to be deployed into ducting and coiled back onto drums. The unit can be clipped to fences and masts using standard fixings with minimum interference.

- 186 2000 001 RT-LRU Line Repair Unit [1 pack]
- 185 0000 001 RT-MFI PC Connector [20 pack]
- 186 5000 001 RT-KIT Termination Kit [1 pack]



Parameter	Performance	Specifications
Line Repair Unit [Assembled]	OD=13mm; L=126mm	Aluminium [BLACK]
Optical Alignment	RT- MFI	Glue & Polish
Fibre Channels	2 Fibres	Singlemode [UPC / APC] or Multimode Applications
Cable Style	Multi-core Loose tube or Distribution style cables.	Standard 5mm cable Diameter. Other options available on request.
Weight	80gms	
Optical Performance		
Insertion Loss (Max)	≤0.5dB	IEC 61300-3-4 (1310 & 1550nm)
Insertion Loss (Typical)	≤0.2dB	IEC 61300-3-4 (1310 & 1550nm) @ 23°C
Repeatability	+0.2dB	IEC 61300-2-2
Return Loss (Back Reflection)	<-45dB	IEC 61300-3-6
Mechanical Performance		
Cable Retention	2000N	IEC 61300-2-4 (Cable Dependent)
Vibration	10Hz – 2000Hz	IEC 61300-2-1
Cable Pulling	100N at 4x90° axis min.100mm	IEC 61300-2-4
Cable Torsion	15N load at 250mm; 5x X& Y.	IEC 61300-2-5
Drop Test (Impact)	500 Drops (1.2m)	IEC 61300-2-12
Environmental Performance		
Operational Temperature	±0.2dB (-40°C to +75°C)	IEC 61300-2-22 (23°C. 42 cycles > 1°C/min)
IP Protection	IP68	1m Full Immersion.
Salt Mist	500hrs	IEC 61300-2-26

*please note that all performance data is dependant on the fibre optic cable used.

Technical Data Sheet

Part No. 186 Series **DRAWN:** CRP **ISSUE:** 1 Provisional **CHECKED:** ML **DATE:** 08/06/06

Description: RT – Fibre Optic Line Repair Unit

Dimensions in millimetres unless otherwise stated. Do not scale. * By design.

This drawing is 'confidential' and the exclusive property of Ridgemount Technologies Ltd, and shall not, without the prior written consent of Ridgemount Technologies Ltd, be produced, copied, reprinted or disclosed to any third party. While the information contained herein has been carefully compiled to the best of our knowledge, it is not intended as a representation or warranty of any kind regarding the fitness of the product concerned for any particular use or purpose and neither shall any statement contained herein be construed as a recommendation to infringe any industrial property rights or as a license to use on such rights.

Ridgemount Technologies Ltd · Unit 5 Field Farm Bus Cntr · Launton · Bicester · OX26 5EL · UK · www.rimot.com · +441869 277233



optimising optical fibre performance