

Ridgemount – Optical Fibre Breakout Tubing 2.4mm



Ridgemount breakout tubing has been designed purposely for the protection of fibres. Used for **breakout out assemblies**, the tubing simulates the protection offered by a simplex ruggedised cable normally used for patchcords.

Kevlar strength members and an outer jacket of LSZH material surround a nylon inner tube.

Available with 2 inner tube options;

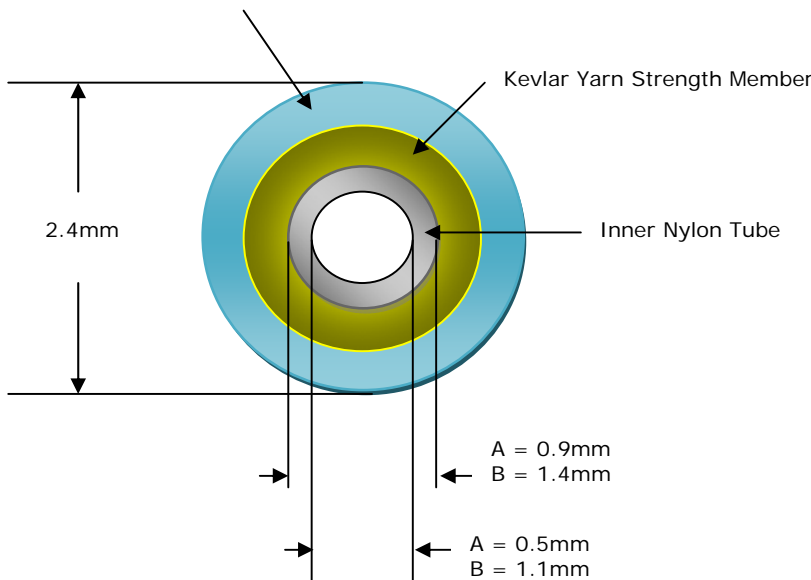
The 0.5mm tube option accepts a single 250µm fibre and with an outer diameter of 0.9mm is ideal for use with standard connectors. [250 4000]

The 1.1mm tube option allows for 2x 250µm fibres for use with Uniboot connectors or 1x 900µm secondary coated fibres found on distribution cables. [250 4100]

- 250 4x00 12 – Aqua
- 250 4x00 13 – Yellow
- 250 4x00 15 – Orange
- 250 4x00 16 – Grey
- 250 4x00 17 – Green
- 250 4x00 19 – Violet

More colours are available on request. Supplied on 1Km non-returnable drums [12kg]

Outer Low Smoke Zero Halogen [LSZH] Jacket



A = 250 4000 xx
B = 250 4100 xx

Applications:

1. Ruggedized Devices [Attenuators – Splitters etc].
2. Ridgemount Break Out Manifold
3. Custom Fibre Assemblies [with specialist optical fibres].

Parameter	Performance	Specifications
Internal Tube – OD	0.9mm[A] or 1.4mm[B]	Nylon
Internal Tube – ID	0.5mm[A] or 1.1mm[B]	Nylon
Outer Jacket – OD	2.4mm +0/-0.2	LSZH
Outer Jacket Thickness	0.4mm	LSZH
Outer Jacket Material	LSZH	Alpha Gary HF8110
Strength Member	Kevlar	Yellow
Tensile Strength	700N	IEC
Crush Resistance	200N/cm	IEC
RoHS Status	Possible Component	Compliant to Directive 2002/95/EC-27/01/2003*

*Every effort has been made with material suppliers, sub-contractors and manufacturers to ensure that this product is RoHS compliant.

Technical Data Sheet				
Part No. 250 4000 series	DRAWN: CRP	ISSUE: A	CHECKED: ML	DATE: 01/04/09
Description: Breakout Tubing 2.4mm		Dimensions in millimetres unless otherwise stated. Do not scale.		
<small>This drawing is 'confidential' and the exclusive property of Ridgemount Technologies Ltd, and shall not, without the prior written consent of Ridgemount Technologies Ltd, be produced, copied, reprinted or disclosed to any third party. While the information contained has been carefully compiled to the best of our knowledge, it is not intended as a representation or warranty of any kind regarding the fitness of the product concerned for any particular use or purpose and neither shall any statement contained herein be construed as a recommendation to infringe any industrial property rights or as a license to use on such rights.</small>				
Ridgemount Technologies Ltd · Unit 5 Field Farm · Launton · Bicester · OX26 5EL · UK · www.rimot.com · +441869 277233				

